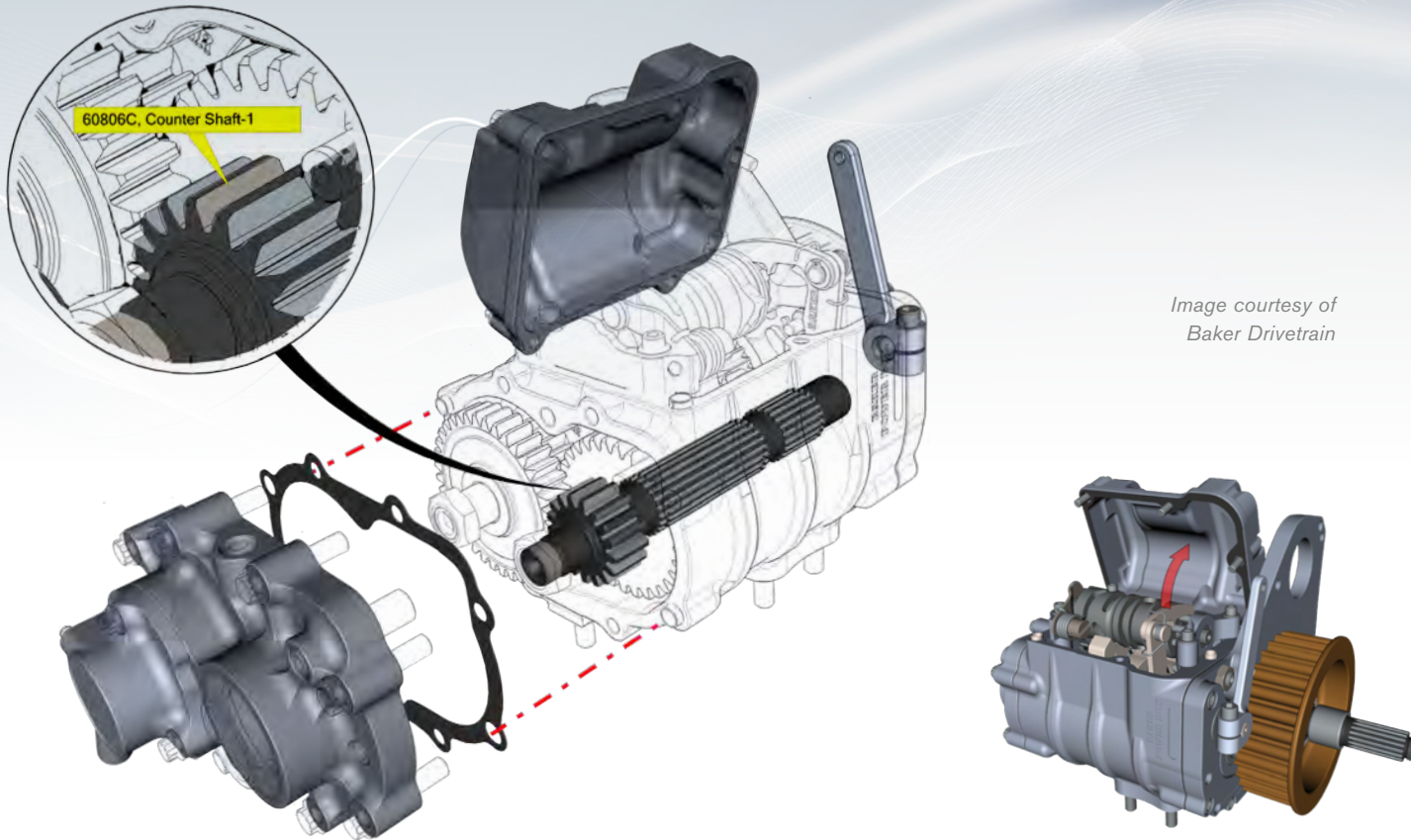


# 3DVIA Composer

THE SOLUTION FOR BETTER PRODUCT DOCUMENTATION CONTENT



*Image courtesy of  
Baker Drivetrain*

**3DVIA Composer is easy-to-use software that anyone associated with product development can use to quickly create product graphics and animations from existing 3D models — whether for assembly instructions, marketing collateral, technical illustrations, interactive animations, or training materials.**

Documentation has always been an incredibly time-consuming task for engineers. With 3DVIA Composer, individuals in sales, marketing, and manufacturing will be able to create the artwork and animations they need much earlier in the design process.

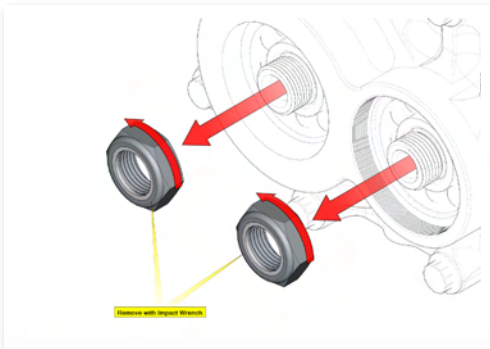
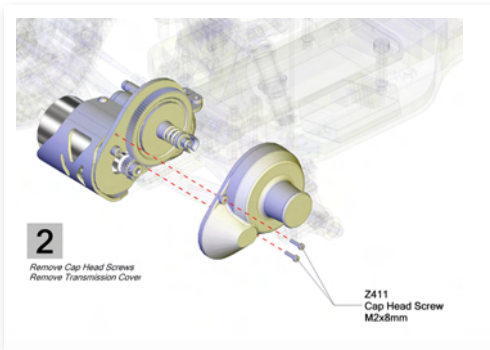
## THE TRADITIONAL WAY

Traditionally, engineers spend valuable hours capturing digital pictures and screen shots of their designs for both internal departments and external agencies. And every design change means a new order for artwork. This imperfect system often leads to workflow bottlenecks on the engineering side and costly delays in getting products to market.

## THE 3DVIA COMPOSER WAY

Now, a company's design and documentation can be produced on parallel tracks. 3DVIA Composer enables individuals with no CAD background to directly access design files and pull exactly the artwork they need — whether that's a photorealistic image for a brochure or an exploded view for a set of assembly instructions.

With a few simple clicks, 3DVIA Composer creates scalable vector illustrations with options to control outer line thickness, component colors, shadows, balloons, parts lists, and paper space. Generating animations for sales presentations and websites is equally simple.



**Use 3DVIA Composer to create these materials:**

- Assembly/Disassembly instructions
- Technical illustrations
- Interactive animations
- User manuals
- Parts catalogs
- Field service manuals
- Web-based catalogs

**CAD formats supported**

3DVIA Composer is CAD-independent publishing software that directly reads a number of CAD formats from:

- SolidWorks®
- CATIA®
- IGES
- Pro/ENGINEER®
- STEP

**GET PRODUCTS TO MARKET FASTER THAN EVER BEFORE**

Companies succeed when everyone in an organization is allowed to do what they do best. 3DVIA Composer allows you to do that with one streamlined operation that helps ensure a product — and all its accompanying documentation and video — ships on time and gets to market faster.

**REDUCE TRAINING TIME**

Because of its simple, intuitive user interface, 3DVIA Composer requires no learning curve. Our detailed training materials, online tutorials, and user forums will help you start publishing professional manuals and presentations almost instantly.

**CUT WAY BACK ON DOCUMENTATION EXPENSES**

3DVIA Composer's user-friendly interface allows the end-user to see a variety of images, from exploded views to incremental components, and rotate or zoom in before capturing a desired image. This saves the expense of taking digital photos for every product release and reduces paper waste. Producing documents that feature more images than text can also drastically reduce localization costs.

**MAXIMIZE EFFICIENCIES ACROSS MULTIPLE DEPARTMENTS**

Time saved is money earned. For engineers, 3DVIA Composer means less time focusing on ad hoc work, and more time focusing on innovation. For marketing managers and manufacturing directors, it means instant access to the product information they need and the ability to create a suite of materials that are rich in beautiful graphics and accurate content. And for the bottom line, using a standardized 3D platform across an entire enterprise can mean significantly higher returns on investment.



Dassault Systèmes SolidWorks Corp.  
 300 Baker Avenue  
 Concord, MA 01742 USA  
 Phone: 1 800 693 9000  
 Outside the US: +1 978 371 5011  
 Email: info@solidworks.com  
 www.solidworks.com